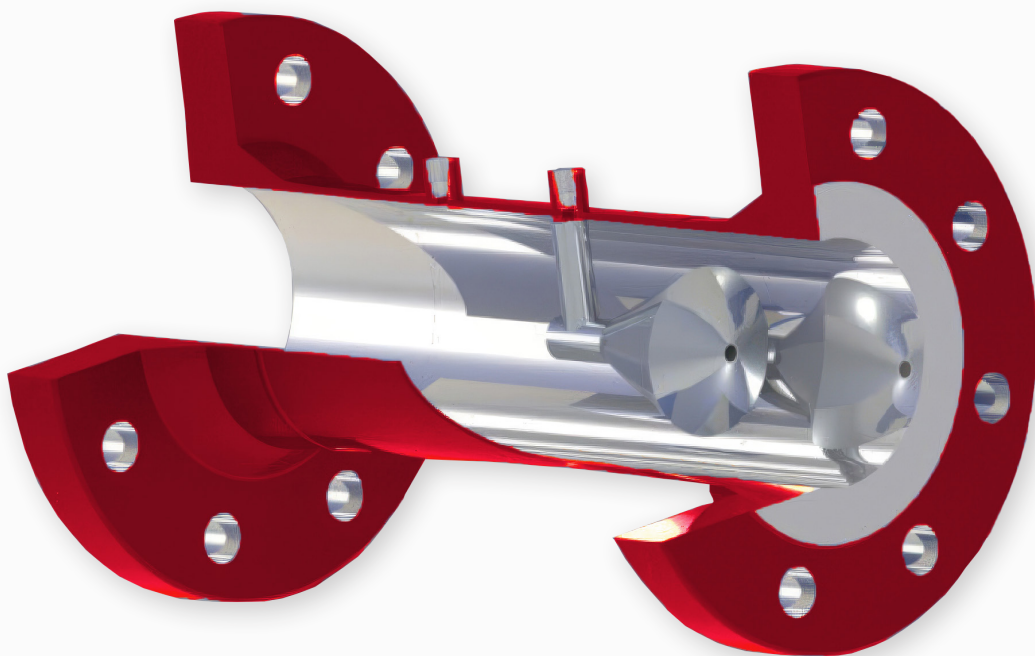


DANIEL[®]
CONE METER
PRODUCT GUIDE

**PRIMARY FLOW
ELEMENTS**

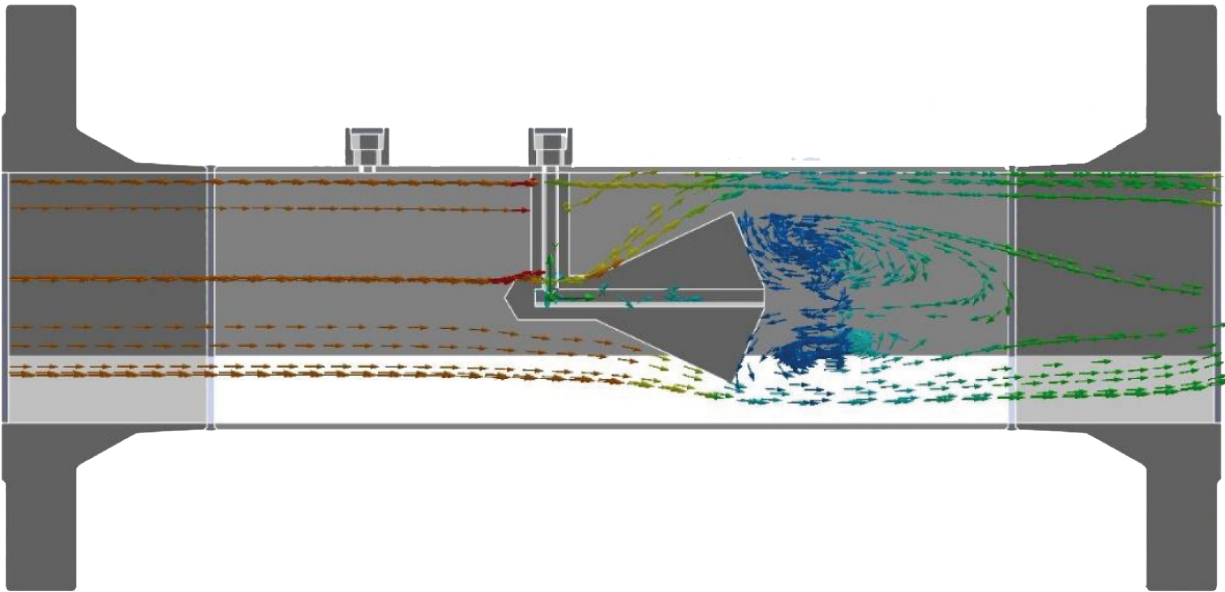


DANIEL[®]

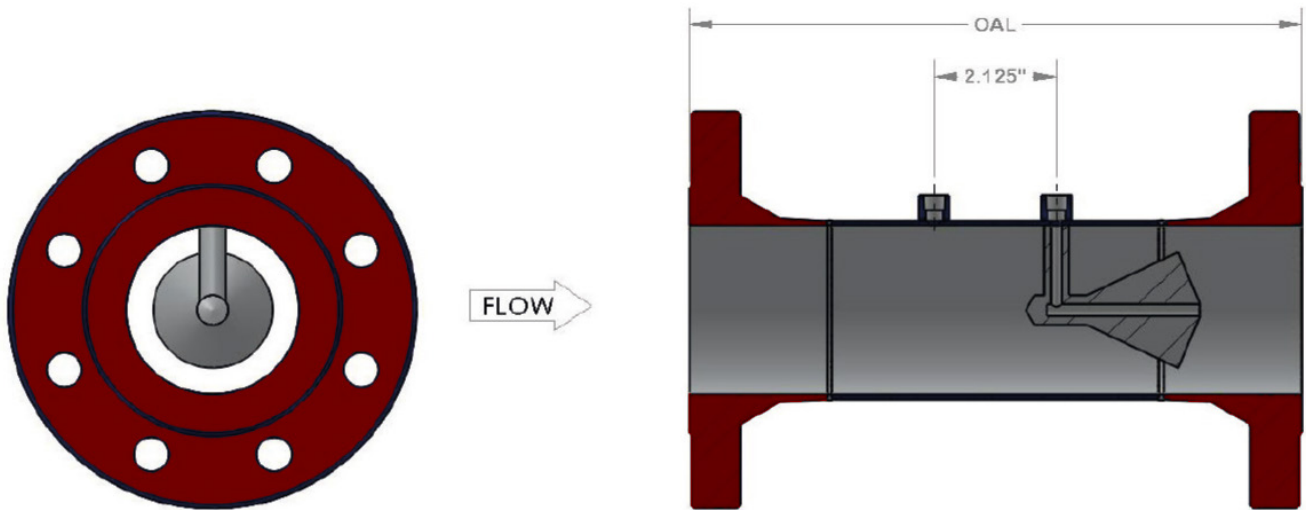
Decades Proven. Field Chosen.[™]

SPECIFICATIONS

Standard accuracy	± 0.5% to ± 5.0% of actual flow. Flow Lab calibration may be required to achieve the lowest possible accuracy.
Flow Ranges	10:1 or greater
Repeatability	± 0.1% or better
Permanent Pressure Loss	Varies with dP and Beta Ratio
Beta Ratios	0.4, 0.5, 0.6, 0.7, 0.8 (special betas available)
Line Sizes & Ratings	2" to 24" - ANSI 150# thru 2500#. 26" and above - Series "A" & "B" 150# thru 600#
Materials of Constructions	All Grades of Stainless, Duplex Stainless, Carbon Steels, and virtually all other materials.
Piping Installation Requirement	See page 3
Cone Meter Ends	Beveled, Flanged, Threaded, hubs, and others.
Approvals	CE-PED 2014/68/EU, CRN



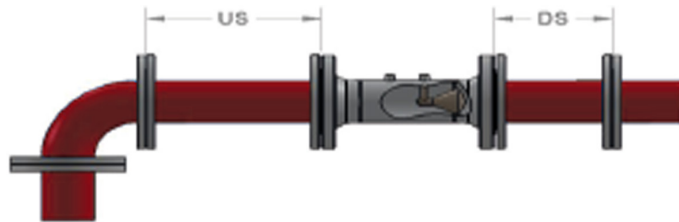
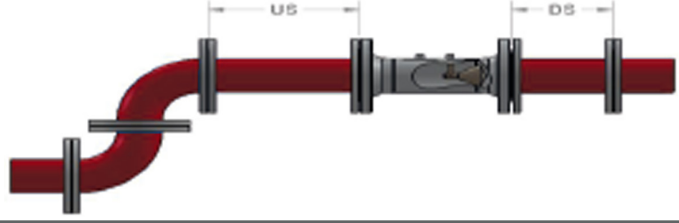
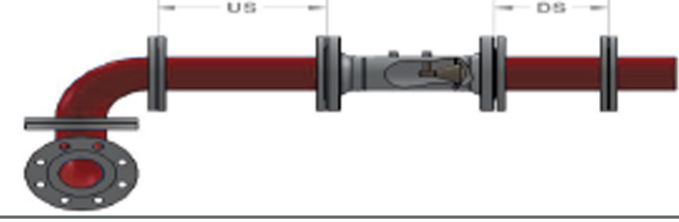
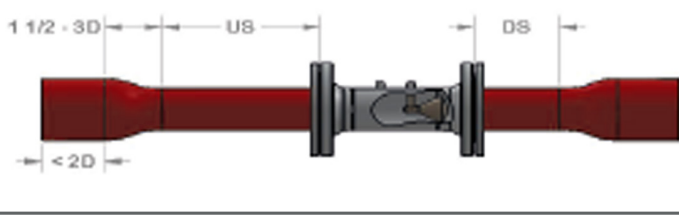
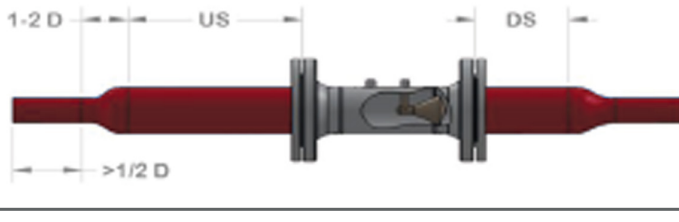
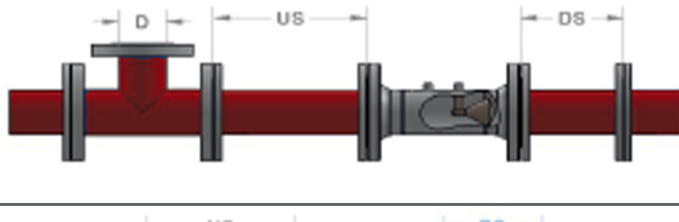
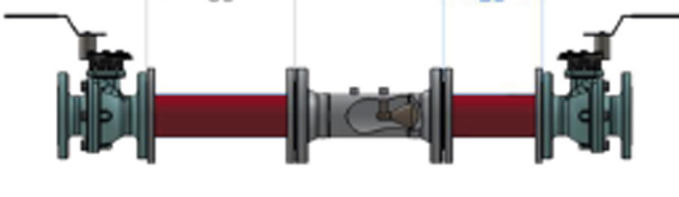
CFD analysis can be done on your specific application to simulate how the Cone Meter should perform.



ANSI B16.5 RAISED-FACE / RING-TYPE JOINT WELD-NECK

Line Size	OAL					
	150#	300#	600#	900#	1500#	2500#
1"	11.00	11.50	11.75	13.50	13.50	14.25
1 1/2"	11.50	12.25	12.75	13.50	13.50	15.75
2"	13.00	13.50	13.50	15.75	15.75	17.50
2 1/2"	13.50	13.50	14.25	15.75	15.75	19.00
3"	13.75	16.25	16.25	17.00	17.75	21.25
4"	17.00	17.25	18.25	18.50	19.00	23.75
5"	23.50	24.00	24.50	25.25	26.00	29.50
6"	23.75	24.00	28.75	25.75	26.75	32.25
8"	27.25	27.50	28.50	29.50	31.50	37.50
10"	29.25	30.00	31.00	32.25	35.50	51.25
12"	31.50	32.25	33.00	35.00	38.50	55.25
14"	37.50	29.25	39.50	42.50	49.25	
16"	40.50	41.50	43.00	45.25	52.25	
18"	44.50	45.25	46.00	49.25	57.00	
20"	48.50	49.25	50.50	52.75	61.00	
24"	56.00	56.75	58.00	61.75	71.00	

Recommended Straight Run Pipe Requirements

	Beta	0.4	0.5	0.6	0.7	0.8
	US	0	0	0	1	1
	DS	0	0	0	1	1
	US	0	0	0	1	1
	DS	0	0	0	1	1
	US	0	0	0	1	1
	DS	0	0	0	1	1
	US	1	1	1	1	1
	DS	1	1	1	1	1
	US	1	1	1	2	2
	DS	1	1	1	2	2
	US	0	0	0	1	1
	DS	0	0	0	1	1
	US	3	3	3	4	4
	DS	0	0	0	1	1

With over 90 years of experience, Daniel is the only manufacturer that has the knowledge and experience to engineer and offer superior products that are trusted to provide the most reliable and accurate measurements in the global oil and gas industry.

Contact Us

Email: sales@Daniel.com
Phone: +1 (346) 509-3700

www.Daniel.com



Decades Proven. Field Chosen.™