

# Daniel™ Series 700 – Model V707

## Spring Loaded Back Pressure Valve



## Daniel Series 700 – Model V707

### Description

The V707 Spring Loaded Back Pressure Valve offers an innovative way to maintain back pressure and provides an integrated check functionality combining two valves in one, requiring no pilots or external actuation. The V707 is an addition to the Daniel 700 Series Control Valve family of products, applying the well-known and trusted Daniel Control Valves technology to maintain back pressure.

A pilotless control valve employing a balanced piston design and pre-set spring pressure on the backside of the piston to maintain back pressure and to open at a pre-determined set point. The valve design includes a Check Valve function as an option.



Figure 1: Daniel Series 700 – Model V707  
Spring Loaded Back Pressure Valve

### Recommended Applications

Lease Automated Custody Transfer (LACT) Skids and Pipeline Injection back pressure control.

### Features

- No power required
- No diaphragms or stuffing boxes
- Modular construction: all internal parts, including seat ring, can be removed with the cylinder assembly without disturbing line connections
- 45° body design assures high capacity
- Positive shut-off, ANSI Leakage Class VI (ANSI B16.105 – 1976)
- Inherently check reverse flow
- Full working pressure (ANSI 150, 300 and 600)
- Pilotless
- Tamper-proof set point locking capable

# Daniel Series 700 – Model V707

## Spring Loaded Back Pressure Valve

---

### Standard Specifications

Please consult a Daniel technical specialist if requirements are outside of the listed specifications. Other product and material offerings may be available depending on the application.

#### Flange connections

Valve size: 2" to 4"

Maximum working pressure at 100 °F

ANSI 150	285 psi (1,964 kPa)
ANSI 300:	740 psi (5,099 kPa)
ANSI 600:	1,480 psi (10,197 kPa)

Temperature Range: -20°F to 150 °F (-29°C to 66°C)

#### Materials of Construction

Valve body:	Standard – Carbon Steel ASTM-A352-GR-LCC
Cylinder:	Standard – 17-4 PH stainless steel
Piston:	Standard – 304 stainless steel
Seat Ring:	Standard – 303 stainless steel
Elastomers:	Standard – Viton®
Other Internal Parts:	Chromium Silicon (877 Grade A) springs – non-wetted
Tubing and Fittings:	Standard – 316 stainless steel*

#### Spring Ranges

Field adjustable, valve differential pressure range

Range #1:	5 - 40 psi (single light spring)
Range #2:	30 - 80 psi (single heavy spring)
Range #3:	30 - 120 psi (light and heavy, nested springs)

*\*Pressure Sense Tubing Line to perform check valve functionality. Not a pilot line.*

#### Recommended spare parts

Table 1: Recommended Spare Parts		
NPS	ANSI	Viton® O-Ring Kit
2	150-300	W520155-692
	600	W526160-692
3	150-300	W530155-692
	600	W536160-692
4	150-300	W540155-692
	600	W546160-692

#### Selection Requirements

1. Line Size
2. Pressure
3. Temperature
4. Set Point Pressure\*
5. Flange Connections

*\*Note: Set point is used to determine spring range. Customer will need to adjust set point in the field.*

**Daniel Series 700 – Model V707  
Spring Loaded Back Pressure Valve**

---

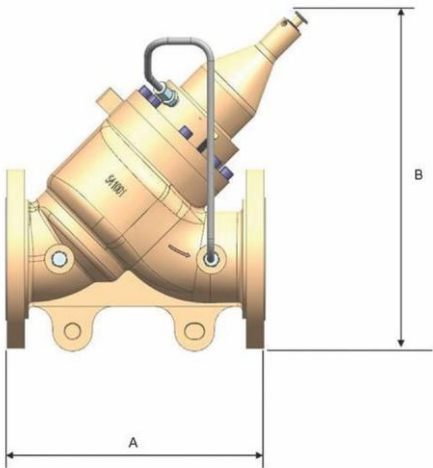
**Ordering Information**

Size	ANSI	Spring Range (psi)	Part Number
2	150	5 - 40	521090-692
		30-80	521090-693
		30-120	521090-694
	300	5 - 40	523090-692
		30-80	523090-693
		30-120	523090-694
	600	5 - 40	526090-692
		30-80	526090-693
		30-120	526090-694
3	150	5 - 40	531093-692
		30-80	531093-693
		30-120	531093-694
	300	5 - 40	533093-692
		30-80	533093-693
		30-120	533093-694
	600	5 - 40	536093-692
		30-80	536093-693
		30-120	536093-694
4	150	5 - 40	541090-692
		30-80	541090-693
		30-120	541090-694
	300	5 - 40	543093-692
		30-80	543093-693
		30-120	543093-694
	600	5 - 40	546090-692
		30-80	546090-693
		30-120	546090-694

**Daniel Series 700 – Model V707  
Spring Loaded Back Pressure Valve**

**Weights and Dimensions**

<b>Table 3: Approximate Shipping Weight</b>				
Line Size	ANSI 150-300 Class flange		ANSI 600 Class flange	
	lbs	kg	lbs	kg
2	60	27	100	45
3	105	48	150	68
4	140	63	205	93



<b>Table 4: Dimensions</b>										
Value Size (in)	A						B			
	ANSI 150		ANSI 300		ANSI 600		ANSI 150-300		ANSI 600	
	in	mm	in	mm	in	mm	in	mm	in	mm
2	10-1/4	260	10-1/2	267	10-1/2	292	9-5/8	244	9-3/4	248
3	11	279	13-1/8	333	14	356	10-3/8	264	11-1/4	286
4	13	330	14-1/2	368	17	432	12-1/4	311	13	330

# Daniel Series 700 – Model V707

## Spring Loaded Back Pressure Valve

---

### **Daniel OpCo, LLC**

Daniel Measurement and Control, Inc.  
Headquarters  
Houston, Texas USA  
+1.346.509.3700

**[www.Daniel.com](http://www.Daniel.com)**

©2024 Daniel® Measurement and Control, Inc. All Rights Reserved. Unauthorized duplication in whole or in part is prohibited. Printed in the USA. DAN-XXXXX-XXXX-DS-0819

The Daniel name and logo are trademarks of Daniel OpCo, LLC. All other trademarks are the property of their respective companies.